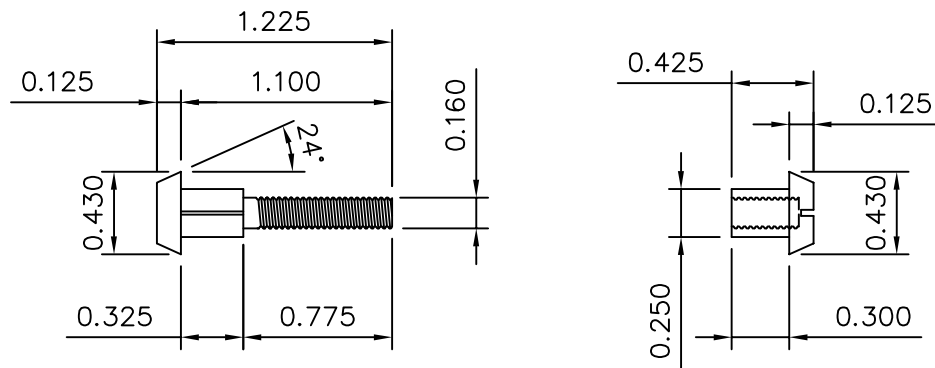


LARGE TRUNCATED CONE SAW BOLT & NUT



SMALL TRUNCATED CONE SAW BOLT & NUT

Date 10 November 2013	Scale 1:1	<p style="text-align: center;">BLACKBURN</p> <p style="text-align: center;">ISAAC SMITH P.O. BOX 263 UNIONVILLE, PA 19375 BlackburnTools.com</p>
<p>Notes</p> <p>© 2013, Isaac Smith. All rights reserved. Authorized for personal use only; commercial use or redistribution is prohibited.</p> <p>Visit www.BlackburnTools.com for installation notes.</p>		