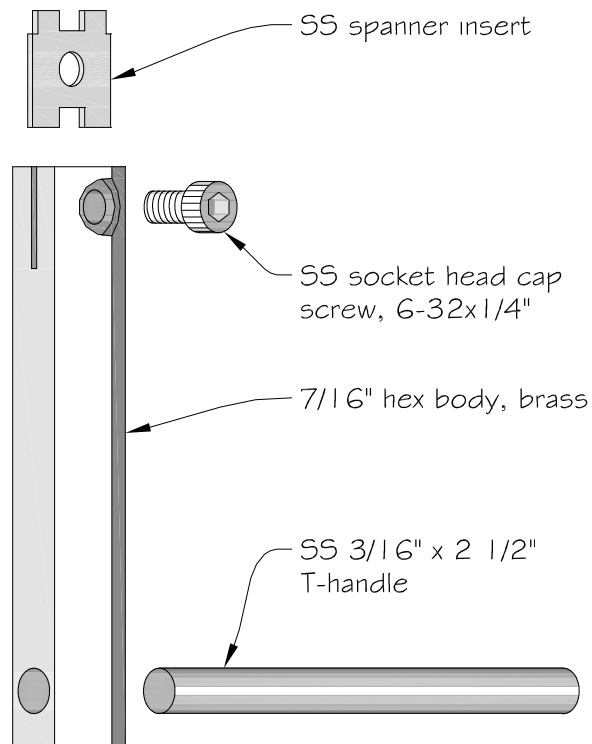




Saw Nut Spanner Instructions



MADE IN THE USA ♦ Fully warranted for one year



Using the Saw Nut Spanner

While a saw nut spanner is a simple tool to use, there are a few points to keep in mind to avoid damaging your saw nuts and saw handle.

- ◆ Seat the spanner firmly in the slot of the saw nut.
- ◆ Maintain downward pressure while tightening or loosening the saw nut.
- ◆ Use the widest end of the insert that fits into the slot of the saw nut. To rotate the insert, remove the socket head cap screw. Rotate the insert, then replace the cap screw.
- ◆ If the T-handle is removed, the saw nut spanner may be used with a ratchet and 7/16" socket.